



LYNXTECH
Lynxtech CS-102

Lynxtech CS-102

Cooling Station

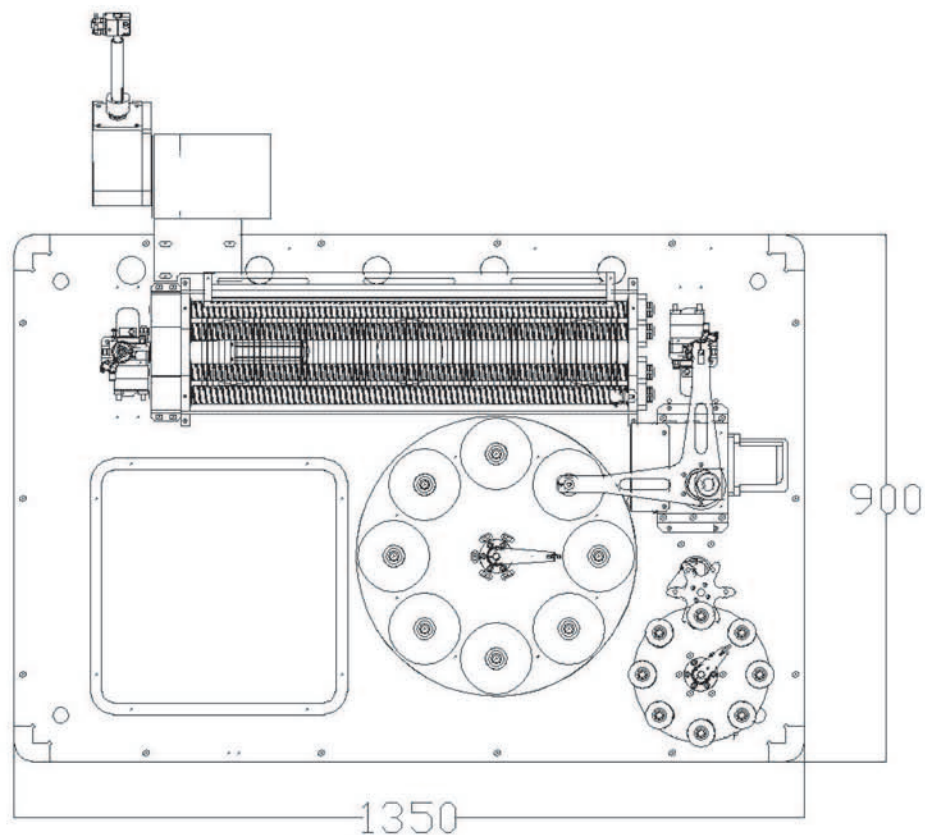
Designed for flexible offline CD/CD-R and DVD/DVD-R production, CS-102 can be easily adapted to different inject molding machines. It is the best choice for disc cooling station.



Key Features

- ④ Handling arm fit to different types of IMM and molds combination
- ④ Ionizing fan for cooling, avoid dust condemnation
- ④ Screw type transferring with servo control for space saving and stable running
- ④ HEPA included
- ④ Optional spacer handling and buffer

System Layout



Lynxtech Precision Co.,Ltd.

Address : No.206,FuXing 3rd Rd., Hwa-ya Industrial Park, Guishan,
Taoyuan County, 333, Taiwan

Telephone : +886-3-327-8060 Fax : +886-3-327-8268

E-mail:sales@lynxtech.com.tw

Web : www.lynxtech.com.tw